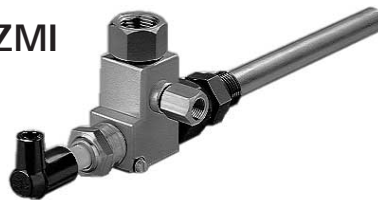


Ionization pilot

ZMI



Ionization pilot ZMI

- /// With one electrode for ignition and control
- /// ZMI 16
Capacity:
2800 – 4800 Btu/hr (0.8 – 1.4 kW)
- /// ZMI 25
Capacity:
4000 – 11500 Btu/hr (1.2 – 3.4 kW)
- /// For all clean industrial gas
- /// Kromschroder is a company certified to ISO 9001

Application

For the automatic ignition and control of gas burners, in conjunction with the automatic burner controls IFS or PFS and the ignition transformer TZI or TGI.

Technical Data

ZMI 16 and ZMI 25
Gas connection: 1/4 NPT
Air connection: 1/2 NPT
Gas pressure range: 4 – 20 in. WC (10 – 50 mbar)
Air pressure range: 4 – 20 in. WC (10 – 50 mbar)
Material of flame tube: 25 CR/20 NI
Housing: Aluminium
Electrode: Kanthal
Burner head: Ceramics
Max. ambient temperature: 183 °F (100 °C)

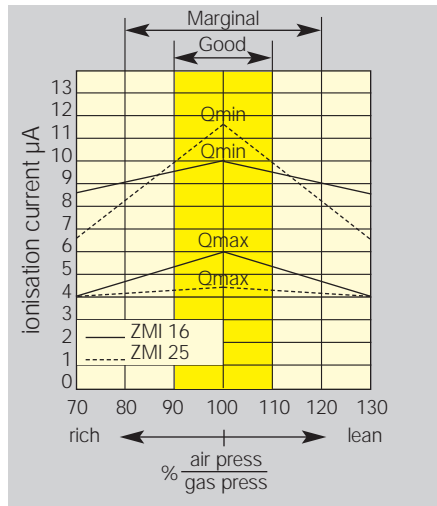
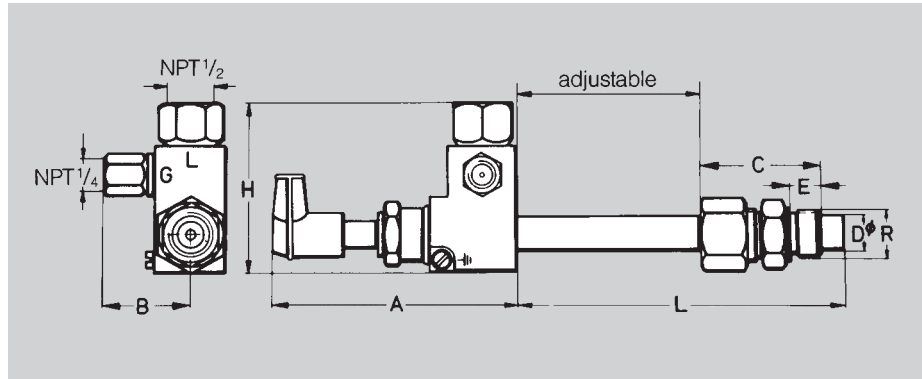
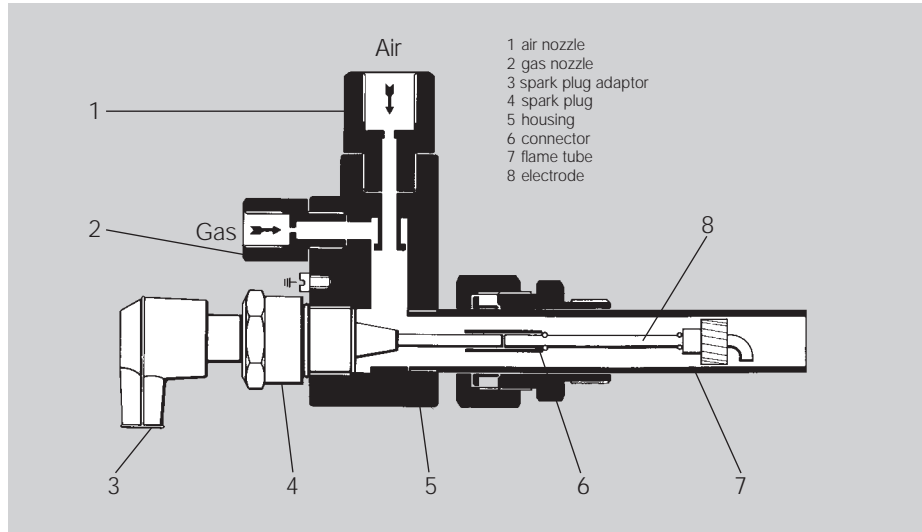
Installation

The pilot burner must always be installed so that reliable ignition of the main burner is ensured. With natural gas, propane and clean coke oven gas the gas supply pressure must be identical with the air supply pressure. With other types of gas, the pressures must be adjusted accordingly. Therefore, upstream of each pilot burner, a pressure regulator must be fitted into the gas pipe and into the air pipe.

In order to protect the orifices from dirt particles, we would recommend to install a filter into the gas pipe and into the air pipe.

Standard delivery: natural gas version.
For other types of gas replace orifice.

Orifice diameter in inch (mm)	ZMI 16	ZMI 25
natural gas	0.0376 (0.94)	0.056 (1.4)
propane	0.0304 (0.76)	0.042 (1.05)
town gas	0.052 (1.3)	0.0712 (1.78)



Dimensions

	ZMI 16		ZMI 25	
	inch	mm	inch	mm
A	4 1/2	115	4 1/2	115
B	1 1/2	40	1 1/2	40
C	2 1/8	54	2 1/2	65
D ^ø	5/8	16	1	25
E	1/2	13	3/4	18
H	3	78	3	78
R	NPT 1/2	NPT 1/2	NPT 1	NPT 1
L*	6	150	6	150
	7 7/8	200	7 7/8	200
	12	300	12	300
	15 3/4	400	15 3/4	400
	19 5/8	500	19 5/8	500

*other length on request

Type code	ZMI	16	-	150
ionisation pilot				
pilot size		16, 25		
tube length		150, 200, 300, 400, 500		

We reserve the right to make technical changes designed to improve our products without prior notice.