

DL 3AT



DL 5-50ET, DL 1-3ET



- // For monitoring positive, negative or differential pressures
- // Multiple pressure ranges from 0.08 to 20 "WC (0.2 to 50 mbar)
- // Accurate, repeatable switching action
- // Supplied with one form "C" contact
- // Automatic reset
- // Sturdy construction
- // Compact design
- // Integral hose barb connections
- // Choice of mounting positions
- // Easy to install
- // Models also available with CE certification

Application

DL air pressure switches provide accurate, reliable supervision of air pressure for both industrial and commercial combustion systems, boilers, HVAC systems and a wide variety of other applications.

The DL air pressure switch controls rising and falling pressure ensuring a set limit value.

Specification

Operating limits

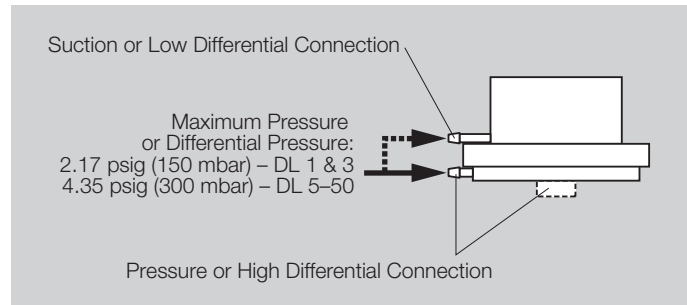
Ambiant, air and storage temperature: -40 °F to 140 °F (-40 °C to 60 °C).

Electrical Data

Switching capacity: 30–240 Vac, I = 5 A resistive or 0.5 A inductive ($\cos \phi = 0.6$), use at ≤ 30 V rate 0.1 A resistive or 0.05 A inductive ($\cos \phi = 0.6$).

"G" models: use at ≤ 30 V rate 0.1 A resistive or 0.05 A inductive ($\cos \phi = 0.6$).

Short circuit protection: Use 8 A quick-acting fuse



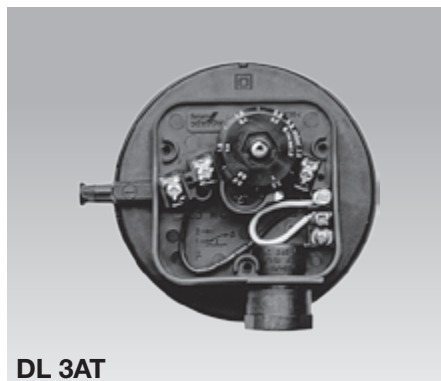
Material of Construction

All Kromschroder diaphragm actuated pressure switches are constructed of special high quality molded plastic. Diaphragms are nitrile rubber. The DL..ET enclosure is rated for IP10/NEMA 1 general purpose. The DL..AT switches have an NEMA 3/IP54 rating.

Connections

Electrical: "E" Models: ¼" (6.3 mm) spade-type wiring terminals.
"A" Models: Screw terminals for 18–14 AWG wire, ½" NPT conduit connector.

Pressure: "E" Models: Hose barb for 5/32" (4.3 mm) ID tubing.
"A" Models: Hose barb for 5/32" (4.3 mm) ID tubing.
Additional ¼" NPT female connection for high pressure side of switch.

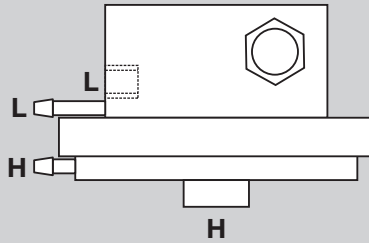


Pressure Ranges

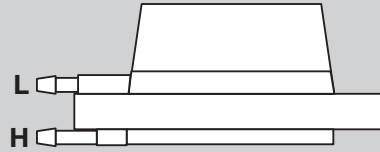
Type	Adjusting Range		Hysteresis	
	"WC	mbar	"WC	mbar
DL 3AT	0.12–1.2	0.3–3.0	0.06–0.12	0.15–0.30
DL 1ET	0.08–0.4	0.2–1.0	0.04–0.06	0.10–0.15
DL 3ET	0.12–1.2	0.3–3.0	0.06–0.12	0.15–0.30
DL 5ET	0.2–2.0	0.5–5.0	0.10–0.14	0.25–0.35
DL 10ET	0.4–4.0	1.0–10.0	≤ 0.16	≤ 0.40
DL 50ET	1.0–20.0	2.5–50.0	≤ 0.48	≤ 1.20

Pressure connections

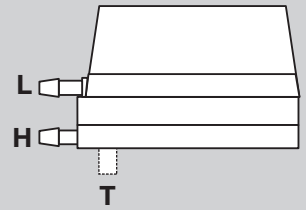
DL 3AT



DL 1-3ET



DL 5-50ET



Pressure Connection Key

L = Suction or Low Differential, H = Pressure or High Differential, T = Pressure Test

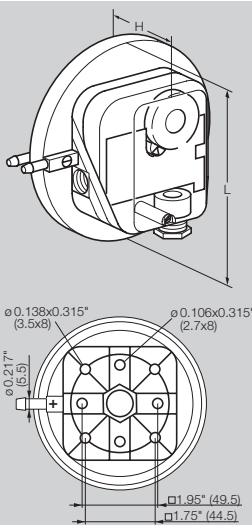
Features

DL 3AT: Includes a green pilot lamp that can be wired to illuminate when normally open switch contacts are closed or when the normally closed contacts are open.

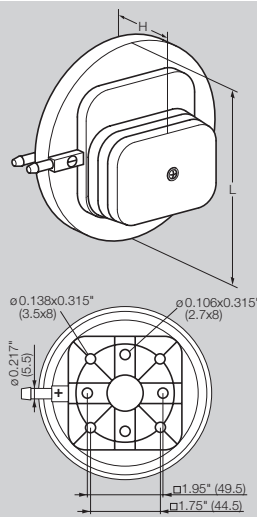
DL 5, 10, 50 ET: Optional pressure tap for monitoring high side pressure.

Dimensions and weights

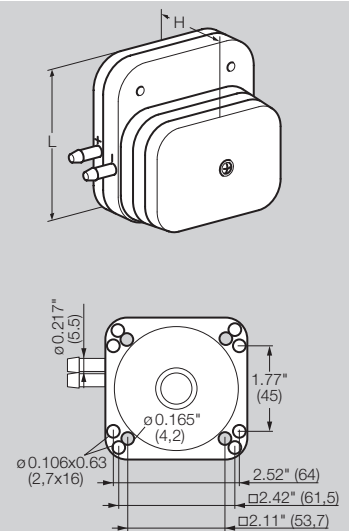
Type	Dimensions				Weight			
	inch	H	mm	inch	L	mm	lb	kg
DL 3AT	2.75		70	4.13 Dia.		105	0.49	0.22
DL 1ET	1.89		48	4.13 Dia.		105	0.31	0.14
DL 3ET	1.89		48	4.13 Dia.		105	0.31	0.14
DL 5ET	1.57		40	2.99 Sq.		76	0.33	0.15
DL 10ET	1.57		40	2.99 Sq.		76	0.33	0.15
DL 50ET	1.57		40	2.99 Sq.		76	0.33	0.15



DL 3AT



DL 1-3ET



DL 5-50ET

Order Information

DL	pressure switch for air
1	adjusting range 0.08-0.4 "WC (0.2-1 mbar)
3	adjusting range 0.12-1.2 "WC (0.3-3 mbar)
5	adjusting range 0.2-2 "WC (0.5-5 mbar)
10	adjusting range 0.4-4 "WC (1.0-10 mbar)
50	adjusting range 1.0-20 "WC (2.5-50 mbar)
E	housing with flat plug, tube connection, setscrew
A	housing with screw terminals, 1/4" NPT, tube connection, hand wheel
T	T-product

Standard Models

DL 1ET DL 3AT
DL 3ET DL 3AT Rp 1/8
DL 5ET
DL10ET
DL 50ET

Accessories

Tubing and Pressure Tap Kit

Order No. 74915366

For connecting DL Pressure Switch to pressure taps on duct or furnace walls. Consists of 6.5' (2 m) of 5/32" ID (4 x 1 mm) PVC tubing, 2 flanged hose connectors, four screws for mounting connectors on duct wall and 4 tubing wraps for securing tubing ends to the duct and switch hose connectors.



Mounting Hardware

Angle Mounting Bracket

For DL 1-3ET and DL 3AT, Order No. 74913661,
For DL 5-50ET, Order No. 74916158



U-Type Mounting Bracket

For DL 3ET and DL 3AT, Order No. 74916161



Spacer Grommet

For raised mounting of DL 1-50ET, Order No. 34328197



Warning:

Situations dangerous to personnel and property can result from the misapplication and incorrect operation of combustion equipment. Kromschroder advises compliance with the National Fire Protection Association standards that apply for related equipment and Insurance Underwriters recommendation, and care of operation.

We reserve the right to make technical changes designed to improve our products without prior notice.
For current product information, visit our website at www.kromschroder.com.